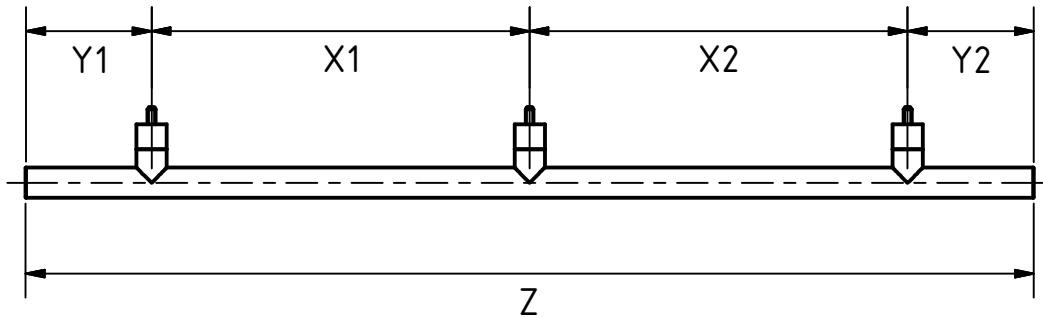
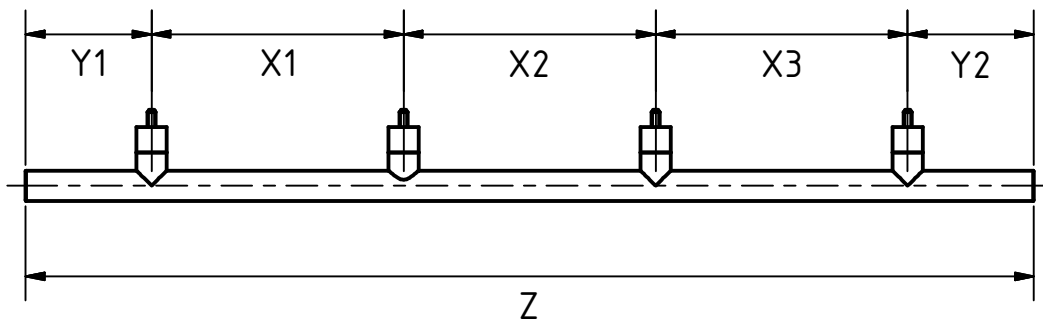


Quantity



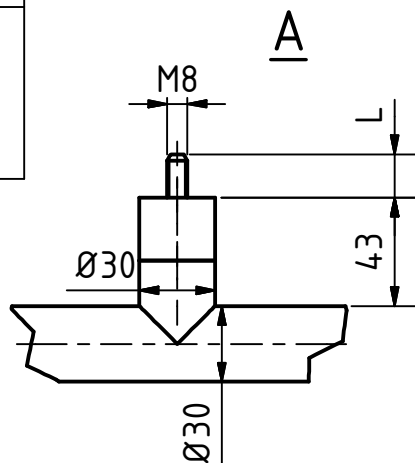
Quantity



Quantity

D	L	material	mounting tool	cabin wall protection
<input type="checkbox"/> Ø30mm <input type="checkbox"/> Ø33,7mm	<input type="checkbox"/> 17,3mm <input type="checkbox"/> 22,5mm <input type="checkbox"/>	<input type="checkbox"/> 1.4301 grain 240 <input type="checkbox"/> 1.4301 grain 600 <input type="checkbox"/>	<input type="checkbox"/> Yes <input type="checkbox"/> No	<input type="checkbox"/> none <input type="checkbox"/> click-on rosette <input type="checkbox"/> plastic shim sleeve

strong S	strong C
<input type="checkbox"/> Yes <input type="checkbox"/> No	<input type="checkbox"/> Yes <input type="checkbox"/> No

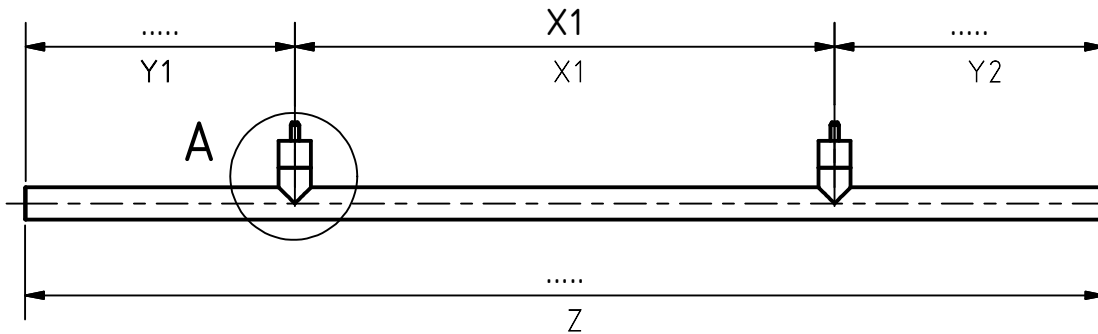


All specifications are stated in mm

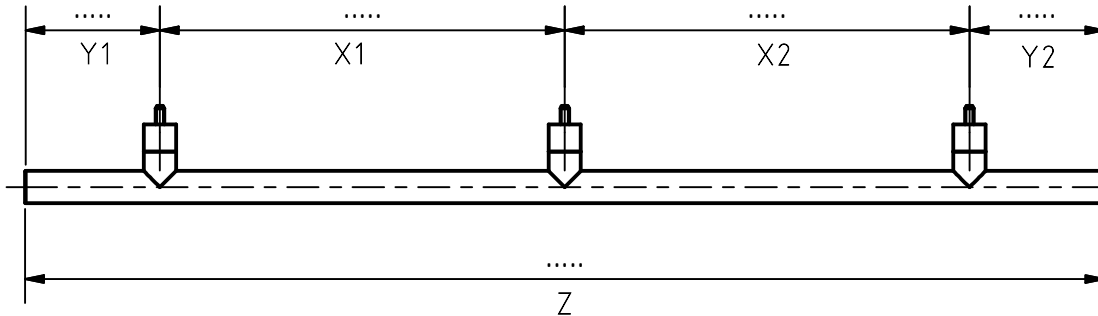
Straight handrail with e-li
Ordernumber:
Commission number:



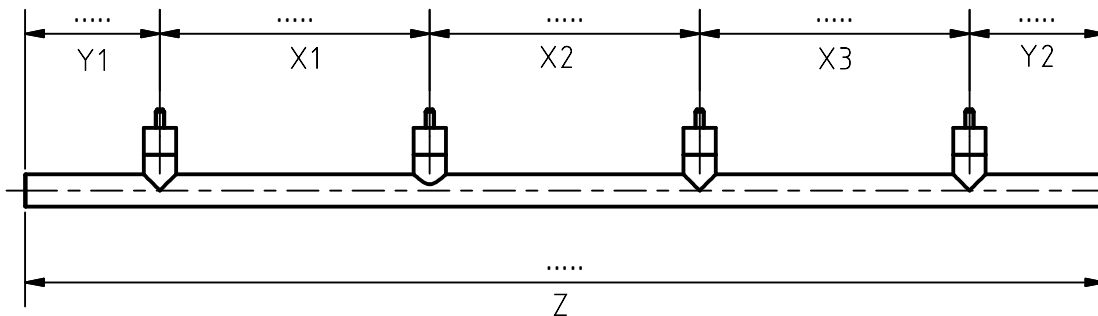
Tel: +49(0)6182-7740390
 Fax: +49(0)6182-7740391
 e-mail: info@beli-gmbh.de



Quantity



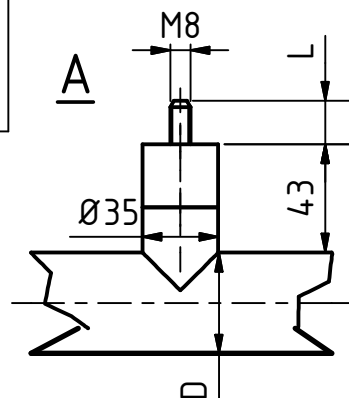
Quantity



Quantity

D	L	material	mounting tool	cabin wall protection
<input type="checkbox"/> Ø35mm <input type="checkbox"/> Ø38mm <input type="checkbox"/> Ø40mm	<input type="checkbox"/> 17,3mm <input type="checkbox"/> 22,5mm <input type="checkbox"/>	<input type="checkbox"/> 1.4301 grain 240 <input type="checkbox"/> 1.4301 grain 600 <input type="checkbox"/>	<input type="checkbox"/> Yes <input type="checkbox"/> No	<input type="checkbox"/> none <input type="checkbox"/> click-on rosette <input type="checkbox"/> plastic shim sleeve

strong S	strong C
<input type="checkbox"/> Yes <input type="checkbox"/> No	<input type="checkbox"/> Yes <input type="checkbox"/> No



All specifications are stated in mm

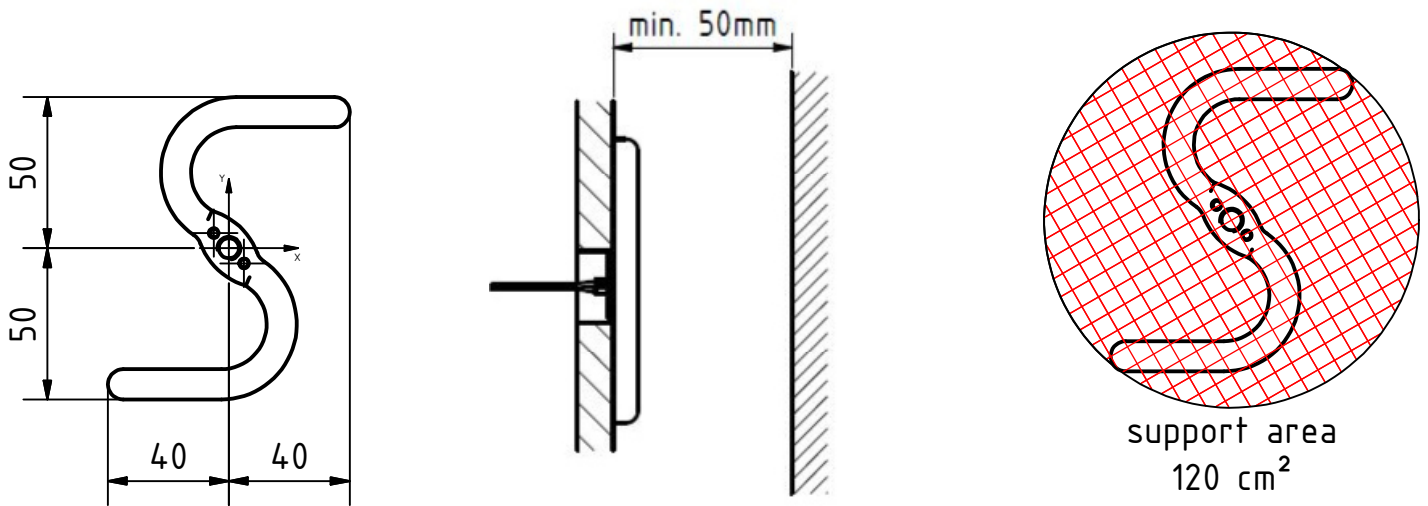
Straight handrail with e-li

Ordernumber:

Commission number:

BeLi 

Tel: +49(0)6182-7740390
 Fax: +49(0)6182-7740391
 e-mail: info@beli-gmbh.de



required space for mounting

critereon	strong S
application:	subsequent back-filling of the rear cabin wall
mounting:	inside of the cabin
required installers:	1 lift mechanic
cabin wall thickness:	1-17mm
material:	zinc coated and blue chromated steel
required space inside elevator shaft:	min. 50mm
support area on the rear cabin wall:	120cm ²

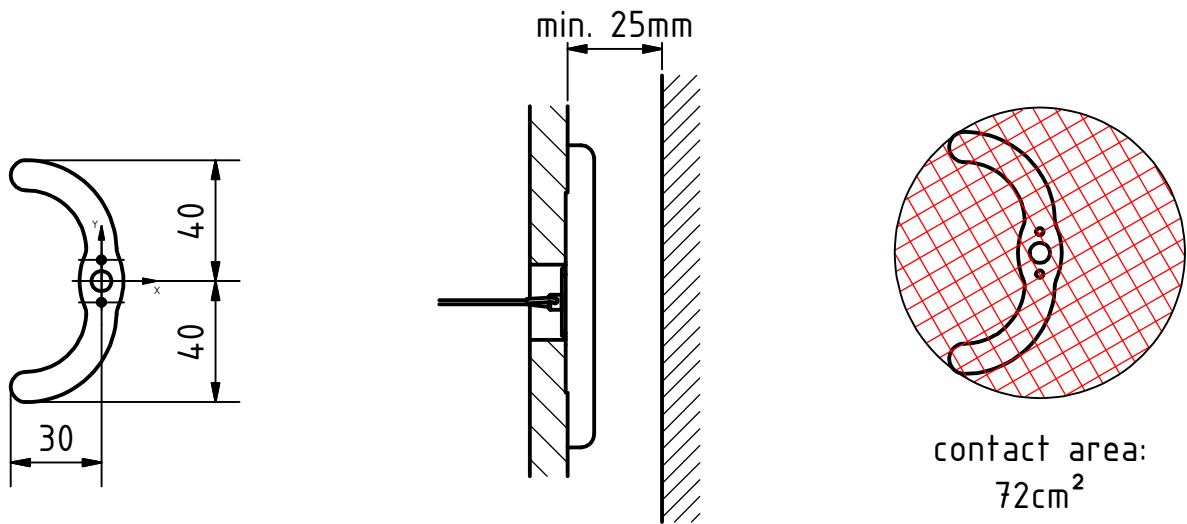
application	
	strong S
straight handrail	✓
curved handrail	✓
continuous handrail	✓
"wall-to-wall"	✓



Tel: +49(0)6182-7740390
 Fax: +49(0)6182-7740391
 e-mail: info@beli-gmbh.de

technical data sheet

strong S



required space for mounting

critierion	strong C
application:	subsequent back-filling of the rear cabin wall
mounting:	inside of the cabin
required installers:	1 lift mechanic
cabin wall thickness:	1-17mm
material:	zinc coated and blue chromated steel
required space inside elevator shaft:	min. 25mm
support area on the rear cabin wall:	72cm ²

application	
	strong C
straight handrail	✓
curved handrail	✓
continuous handrail	✓
"wall-to-wall"	✓



Tel: +49(0)6182-7740390
 Fax: +49(0)6182-7740391
 e-mail: info@beli-gmbh.de

technical data sheet

strong C