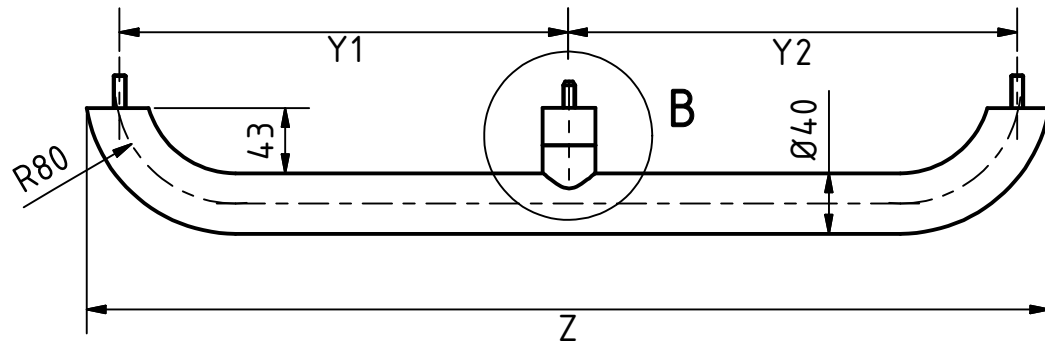
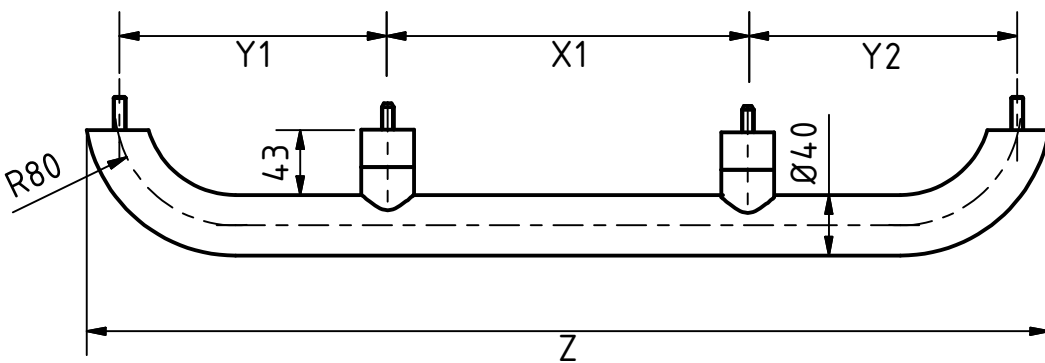


Quantity



Quantity



Quantity

L	material	mounting tool	cabin wall protection
<input type="checkbox"/> 17,3mm	<input type="checkbox"/> 1.4301 grain 240	<input type="checkbox"/> Yes	<input type="checkbox"/> none
<input type="checkbox"/> 22,5mm	<input type="checkbox"/> 1.4301 grain 600	<input type="checkbox"/> No	<input type="checkbox"/> click-on rosette
<input type="checkbox"/>	<input type="checkbox"/>		<input type="checkbox"/> plastic shim sleeve

strong S	strong C
<input type="checkbox"/> Yes	<input type="checkbox"/> Yes
<input type="checkbox"/> No	<input type="checkbox"/> No

All specifications are stated in mm

Curved handrail with e-li angle drive DIN EN 81-70

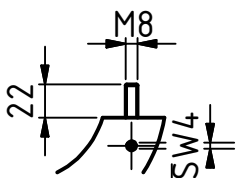
Ordernumber:

Commission number:

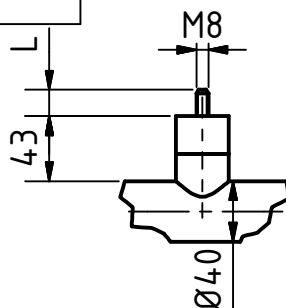


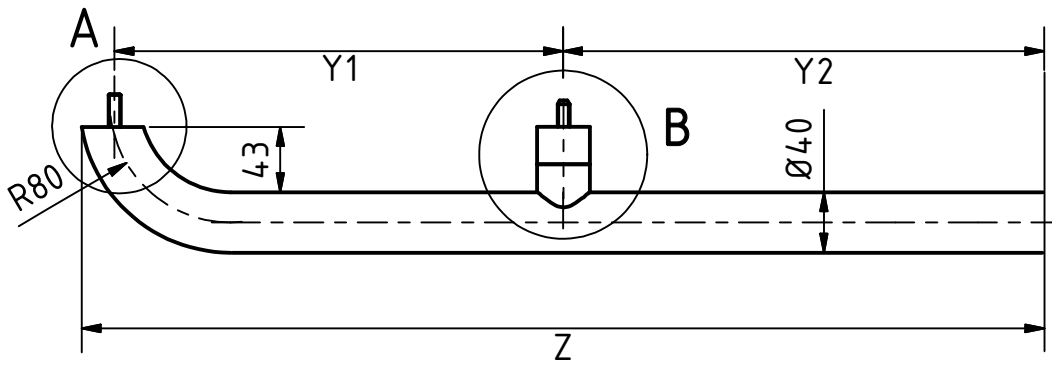
Tel: +49(0)6182-7740390
 Fax: +49(0)6182-7740391
 e-mail: info@beli-gmbh.de

A
bottom view

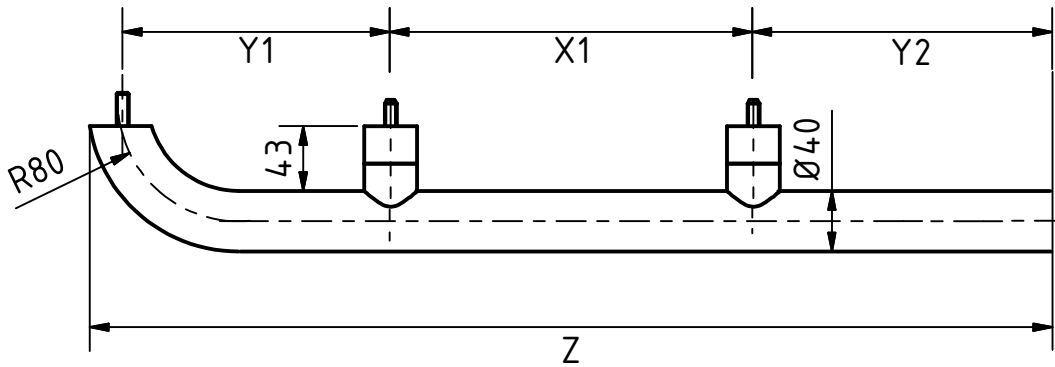


B
bottom view

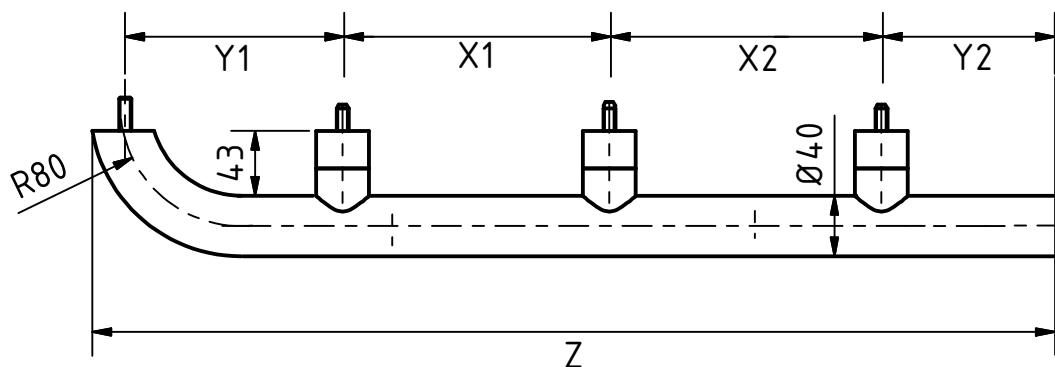




Quantity



Quantity



Quantity

L	material	mounting tool	cabin wall protection
<input type="checkbox"/> 17,3mm	<input type="checkbox"/> 1.4301 grain 240	<input type="checkbox"/> Yes	<input type="checkbox"/> none
<input type="checkbox"/> 22,5mm	<input type="checkbox"/> 1.4301 grain 600	<input type="checkbox"/> No	<input type="checkbox"/> click-on rosette
<input type="checkbox"/>	<input type="checkbox"/>		<input type="checkbox"/> plastic shim sleeve

strong S	strong C
<input type="checkbox"/> Yes	<input type="checkbox"/> Yes
<input type="checkbox"/> No	<input type="checkbox"/> No

All specifications are stated in mm

Curved handrail with e-li angle drive DIN EN 81-70

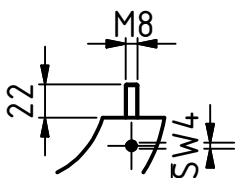
Ordernumber:

Commission number:

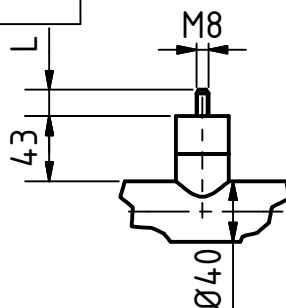


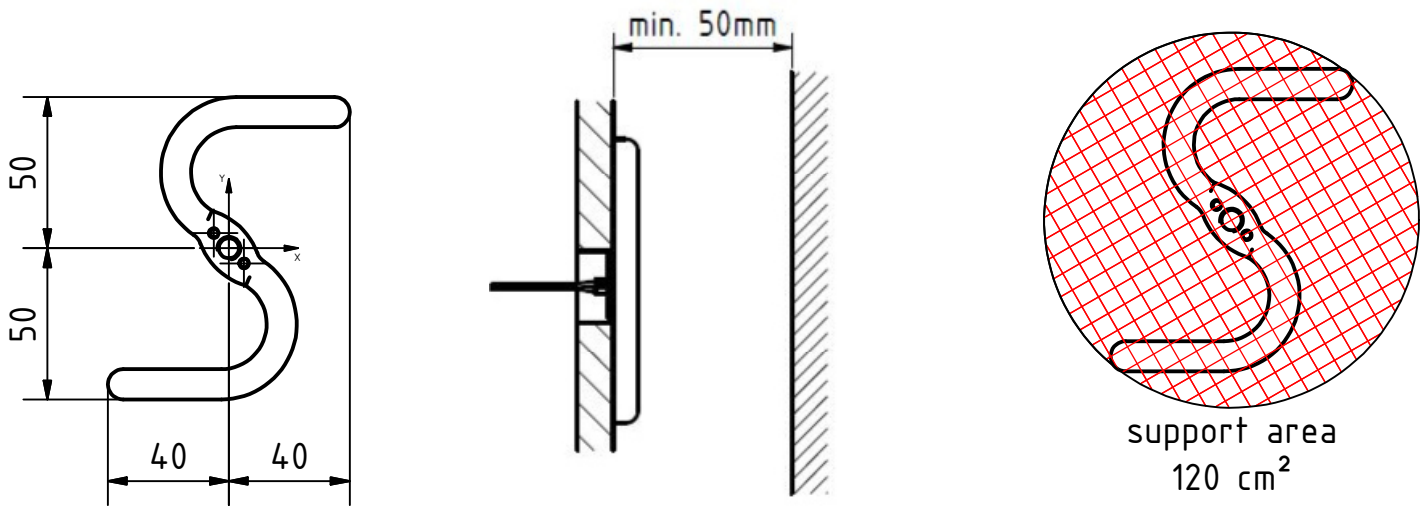
Tel: +49(0)6182-7740390
 Fax: +49(0)6182-7740391
 e-mail: info@beli-gmbh.de

A
bottom view



B
bottom view





required space for mounting

critereon	strong S
application:	subsequent back-filling of the rear cabin wall
mounting:	inside of the cabin
required installers:	1 lift mechanic
cabin wall thickness:	1-17mm
material:	zinc coated and blue chromated steel
required space inside elevator shaft:	min. 50mm
support area on the rear cabin wall:	120cm ²

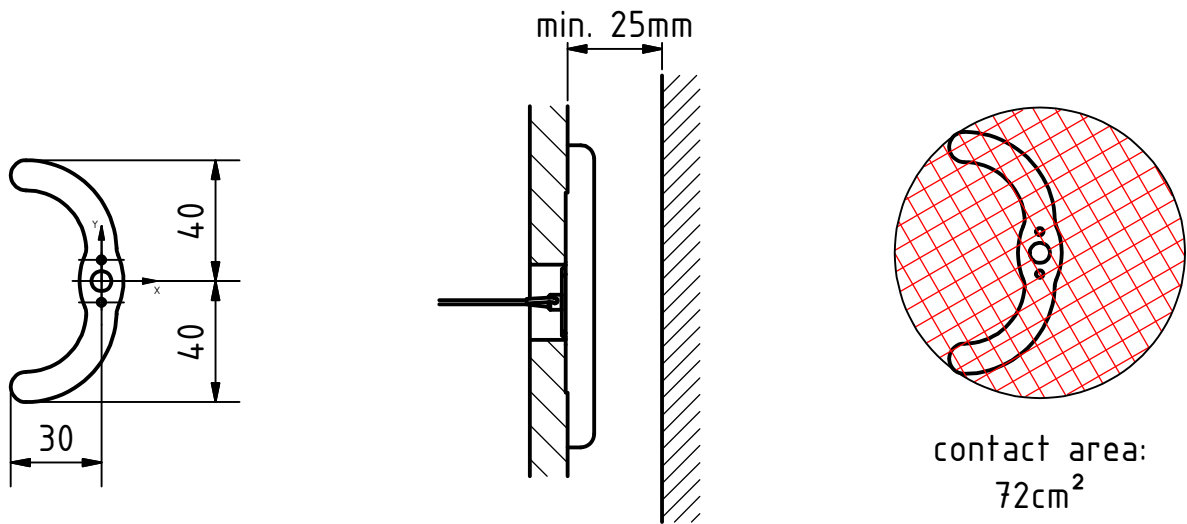
application	
	strong S
straight handrail	✓
curved handrail	✓
continuous handrail	✓
"wall-to-wall"	✓



Tel: +49(0)6182-7740390
 Fax: +49(0)6182-7740391
 e-mail: info@beli-gmbh.de

technical data sheet

strong S



required space for mounting

critierion	strong C
application:	subsequent back-filling of the rear cabin wall
mounting:	inside of the cabin
required installers:	1 lift mechanic
cabin wall thickness:	1-17mm
material:	zinc coated and blue chromated steel
required space inside elevator shaft:	min. 25mm
support area on the rear cabin wall:	72cm ²

application	
	strong C
straight handrail	✓
curved handrail	✓
continuous handrail	✓
"wall-to-wall"	✓



Tel: +49(0)6182-7740390
 Fax: +49(0)6182-7740391
 e-mail: info@beli-gmbh.de

technical data sheet

strong C