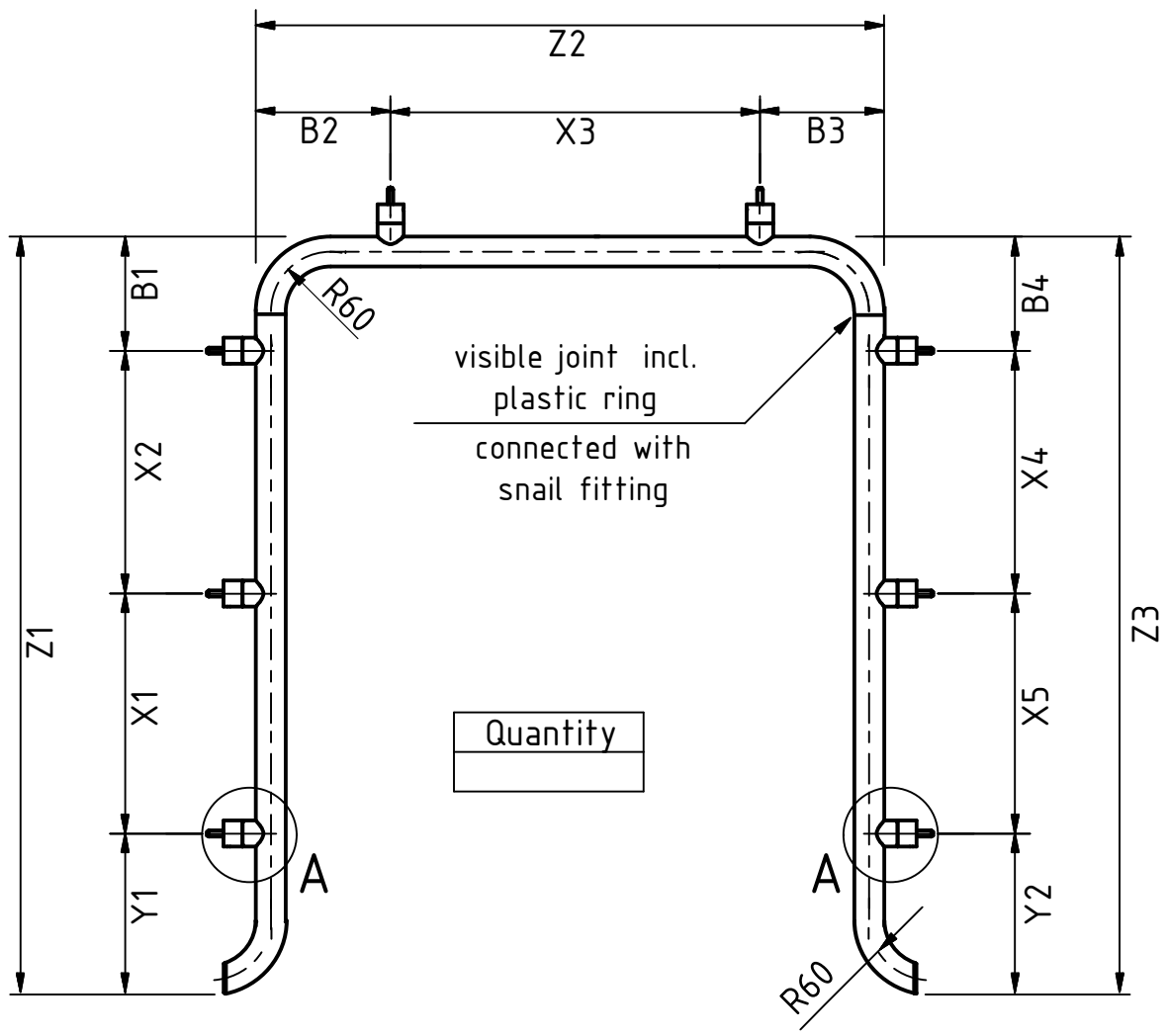
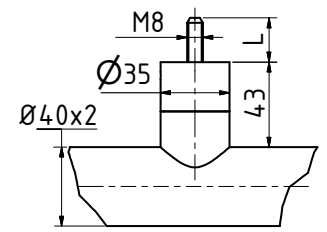


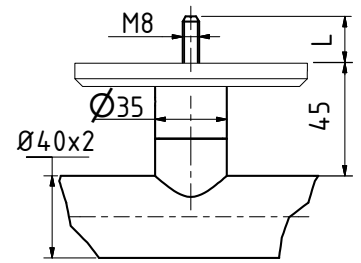
L	material	mounting tool	cabin size	cabin wall protection	strong S	strong C
<input type="checkbox"/> 10mm <input type="checkbox"/> 20mm <input type="checkbox"/>	<input type="checkbox"/> 1.4301 grain 240 <input type="checkbox"/> 1.4301 grain 600 <input type="checkbox"/>	<input type="checkbox"/> Yes <input type="checkbox"/> No	Width: Depth:	<input type="checkbox"/> click-on rosette <input type="checkbox"/> plastic shim sleeve	<input type="checkbox"/> Yes <input type="checkbox"/> No	<input type="checkbox"/> Yes <input type="checkbox"/> No



Detail A
e-li Standard



Detail A
e-li with Rosette



All specifications are stated in mm

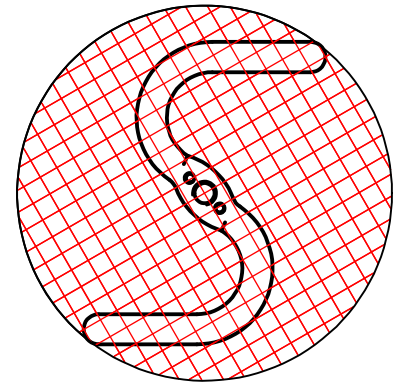
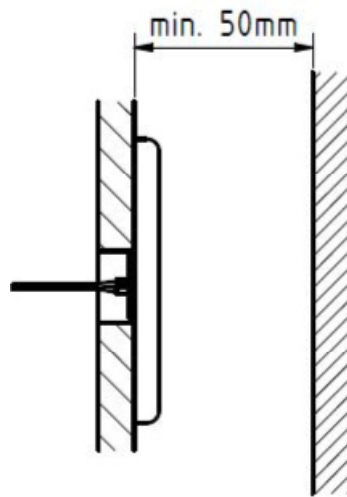
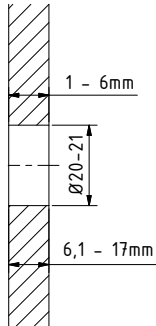
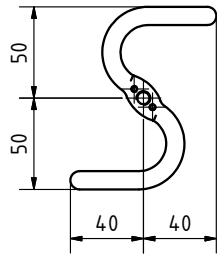
Handrail with e-li PRO

Order number:

Commission number:



Tel: +49(0)6182-7740390
 Fax: +49(0)6182-7740391
 e-mail: info@beli-gmbh.de



support area
120 cm²

required space for mounting

designation	Strong Spine S-shaped design
application:	subsequent back-filling of the rear cabin wall
mounting:	inside of the cabin
required installers:	1 lift mechanic
wall thickness:	1-17mm
material:	zinc coated and blue chromated steel
required space inside elevator shaft:	min. 50mm
support area on the rear cabin wall:	120cm ²
mounting tools:	Cone cut drill bit or step drill bit (Ø20mm) and Torx T10

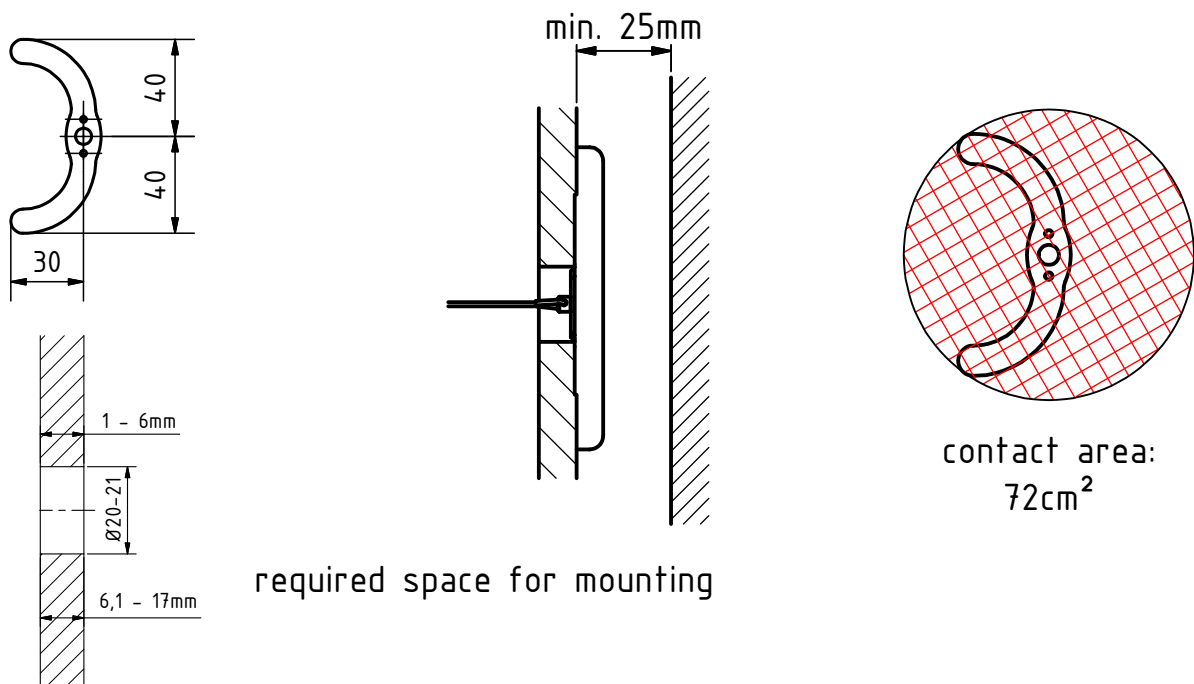
application	
Strong Spine S-shaped design	
straight handrail	✓
curved handrail	✓
continuous handrail	✓
"wall-to-wall"	✓



Tel: +49(0)6182-7740390
Fax: +49(0)6182-7740391
e-mail: info@beli-gmbh.de

technical data sheet

strong S



required space for mounting

designation	Strong Spine C-shaped design
application:	subsequent back-filling of the rear cabin wall
mounting:	inside of the cabin
required installers:	1 lift mechanic
wall thickness:	1-17mm
material:	zinc coated and blue chromated steel
required space inside elevator shaft:	min. 25mm
support area on the rear cabin wall:	72cm ²
mounting tools:	Cone cut drill bit or step drill bit (Ø20mm) and Torx T10

application	
	Strong Spine C-shaped design
straight handrail	✓
curved handrail	✓
continuous handrail	✓
"wall-to-wall"	✓



Tel: +49(0)6182-7740390
 Fax: +49(0)6182-7740391
 e-mail: info@beli-gmbh.de

technical data sheet

strong C