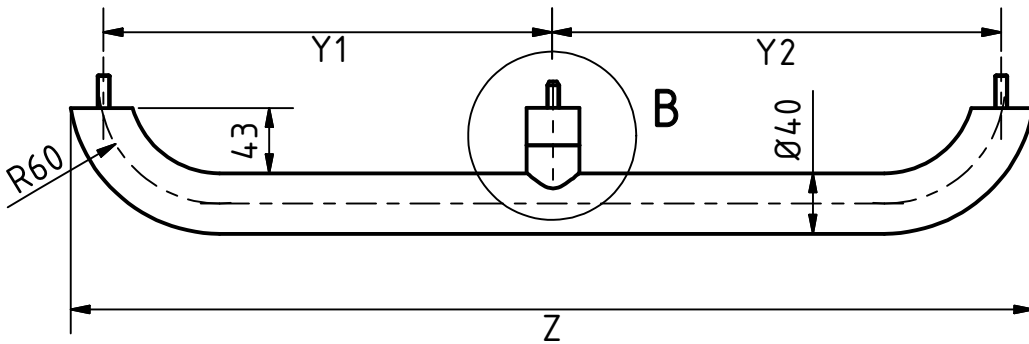
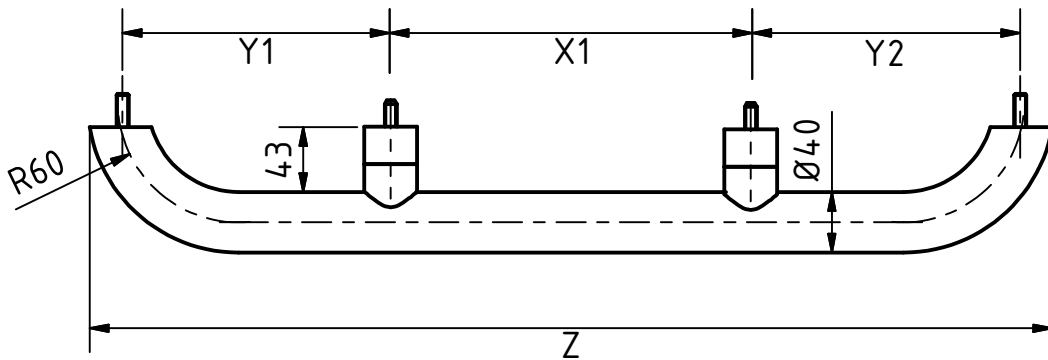


Quantity



Quantity



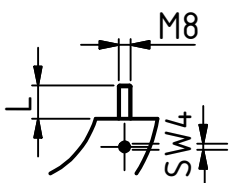
Quantity

L	material	mounting tool	cabin wall protection
<input type="checkbox"/> 15mm	<input type="checkbox"/> 1.4301 grain 240	<input type="checkbox"/> Yes	<input type="checkbox"/> none
<input type="checkbox"/> 20mm	<input type="checkbox"/> 1.4301 grain 600	<input type="checkbox"/> No	<input type="checkbox"/> click-on rosette
<input type="checkbox"/> .....	<input type="checkbox"/> .....		<input type="checkbox"/> plastic shim sleeve

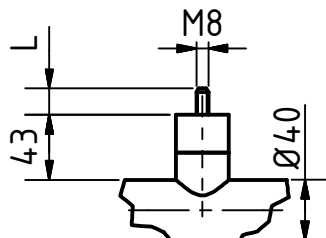
strong S	strong C
<input type="checkbox"/> Yes	<input type="checkbox"/> Yes
<input type="checkbox"/> No	<input type="checkbox"/> No

All specifications are stated in mm

**A**  
bottom view



**B**  
bottom view



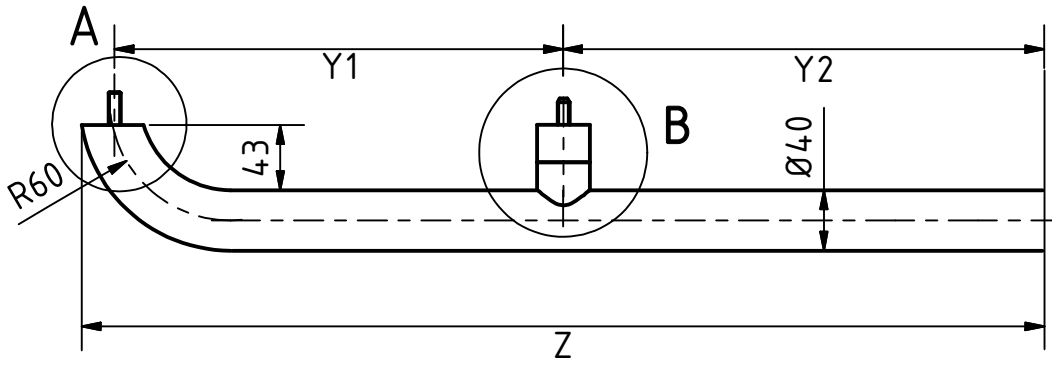
**Curved handrail with e-li angle  
drive DIN EN 81-70**

Ordernumber:

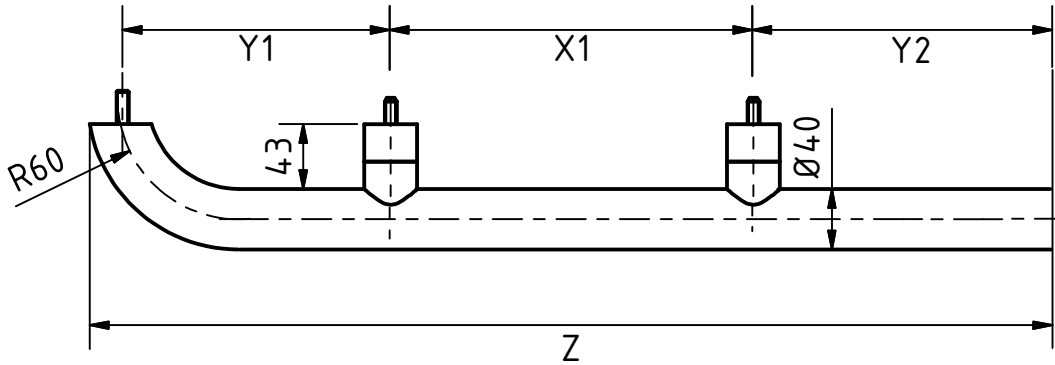
Commission number:



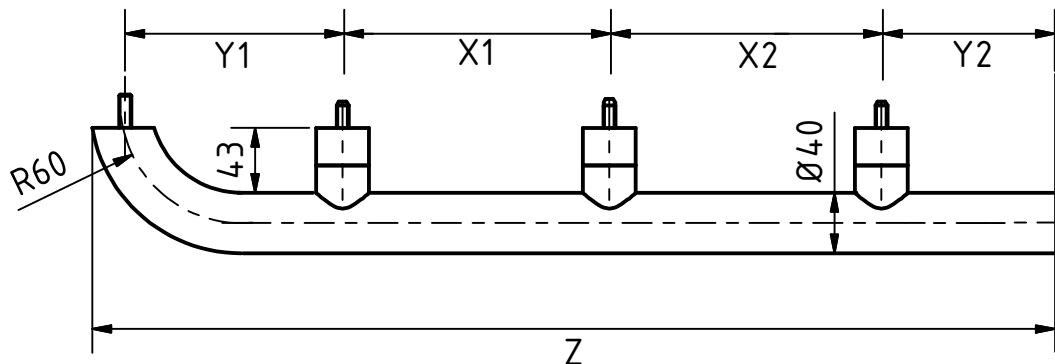
Tel: +49(0)6182-7740390  
 Fax: +49(0)6182-7740391  
 e-mail: info@beli-gmbh.de



Quantity



Quantity



Quantity

L	material	mounting tool	cabin wall protection
<input type="checkbox"/> 15mm	<input type="checkbox"/> 1.4301 grain 240	<input type="checkbox"/> Yes <input type="checkbox"/> No	<input type="checkbox"/> none <input type="checkbox"/> click-on rosette <input type="checkbox"/> plastic shim sleeve
<input type="checkbox"/> 20mm	<input type="checkbox"/> 1.4301 grain 600		
<input type="checkbox"/> .....	<input type="checkbox"/> .....		

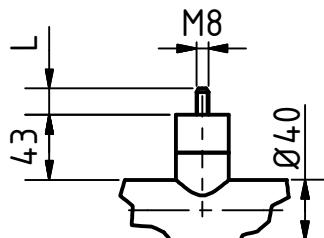
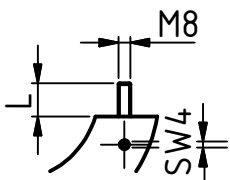
strong S	strong C
<input type="checkbox"/> Yes <input type="checkbox"/> No	<input type="checkbox"/> Yes <input type="checkbox"/> No

All specifications are stated in mm

**B**

Bottom view

**A** Bottom view



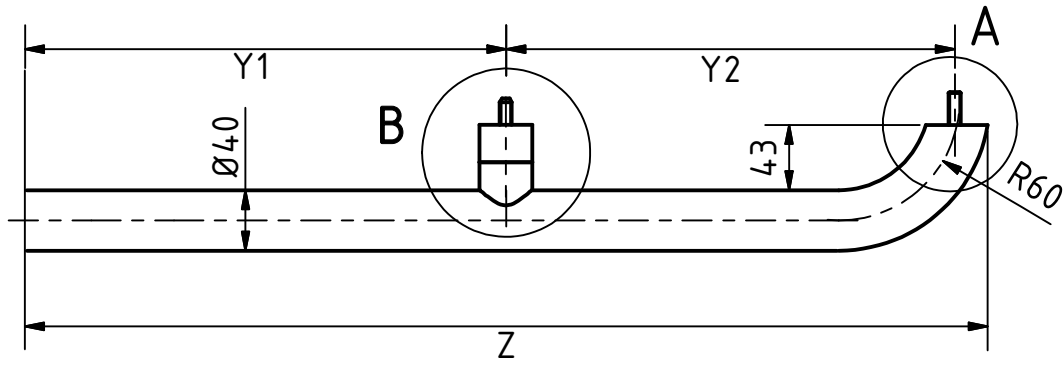
**Curved handrail with e-li angle drive DIN EN 81-70**

Ordernumber:

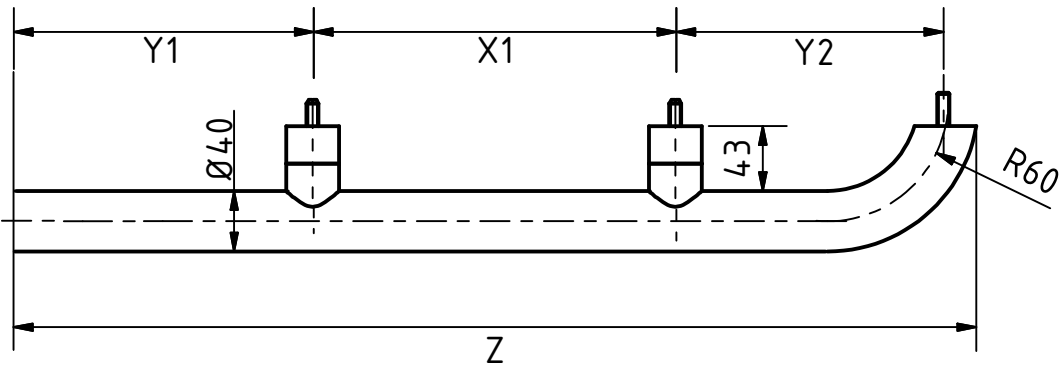
Commission number:



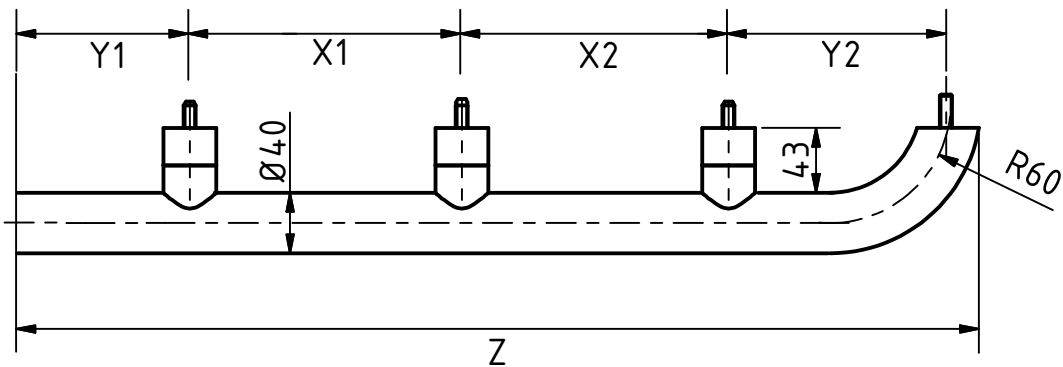
Tel: +49(0)6182-7740390  
 Fax: +49(0)6182-7740391  
 e-mail: info@beli-gmbh.de



Quantity



Quantity



Quantity

L	material	mounting tool	cabin wall protection
<input type="checkbox"/> 15mm	<input type="checkbox"/> 1.4301 grain 240	<input type="checkbox"/> Yes <input type="checkbox"/> No	<input type="checkbox"/> none <input type="checkbox"/> click-on rosette <input type="checkbox"/> plastic shim sleeve
<input type="checkbox"/> 20mm	<input type="checkbox"/> 1.4301 grain 600		
<input type="checkbox"/> .....	<input type="checkbox"/> .....		

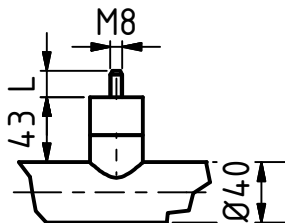
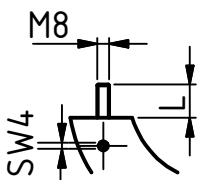
strong S	strong C
<input type="checkbox"/> Yes <input type="checkbox"/> No	<input type="checkbox"/> Yes <input type="checkbox"/> No

All specifications are stated in mm

**B**

Bottom view

**A** Bottom view



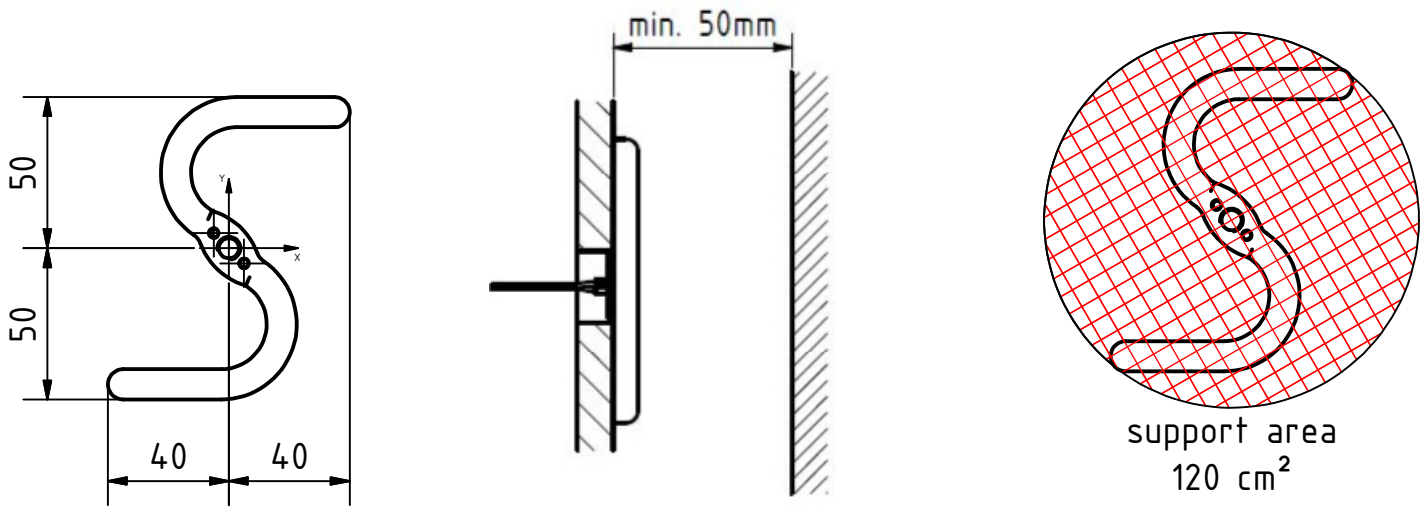
**Curved handrail with e-li angle drive DIN EN 81-70**

Ordernumber:

Commission number:



Tel: +49(0)6182-7740390  
 Fax: +49(0)6182-7740391  
 e-mail: info@beli-gmbh.de



required space for mounting

critereon	strong S
application:	subsequent back-filling of the rear cabin wall
mounting:	inside of the cabin
required installers:	1 lift mechanic
cabin wall thickness:	1-17mm
material:	zinc coated and blue chromated steel
required space inside elevator shaft:	min. 50mm
support area on the rear cabin wall:	120cm <sup>2</sup>

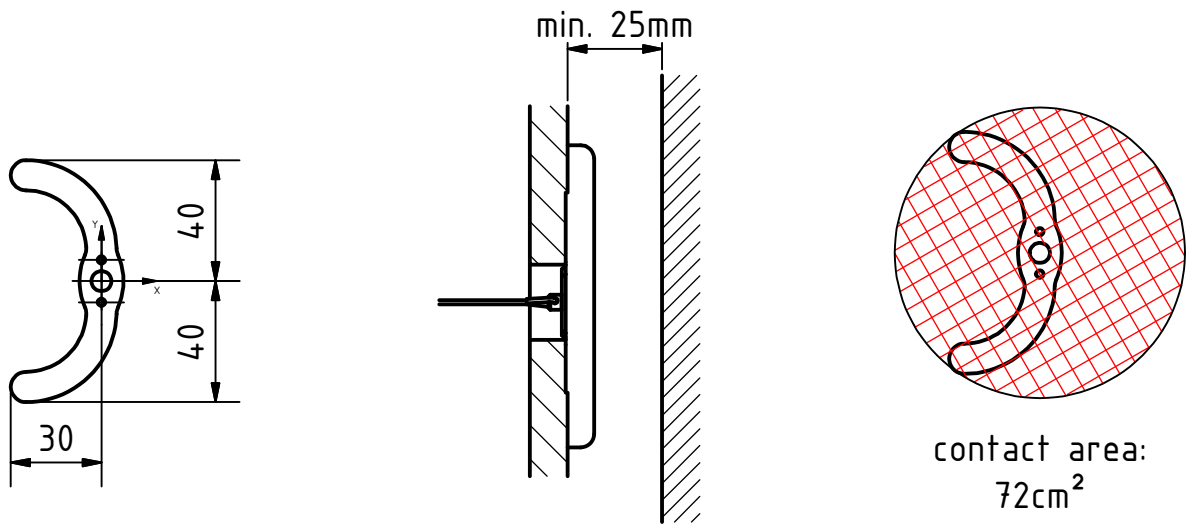
application	
	strong S
straight handrail	✓
curved handrail	✓
continuous handrail	✓
"wall-to-wall"	✓



Tel: +49(0)6182-7740390  
 Fax: +49(0)6182-7740391  
 e-mail: info@beli-gmbh.de

## technical data sheet

strong S



required space for mounting

critierion	strong C
application:	subsequent back-filling of the rear cabin wall
mounting:	inside of the cabin
required installers:	1 lift mechanic
cabin wall thickness:	1-17mm
material:	zinc coated and blue chromated steel
required space inside elevator shaft:	min. 25mm
support area on the rear cabin wall:	72cm <sup>2</sup>

application	
	strong C
straight handrail	✓
curved handrail	✓
continuous handrail	✓
"wall-to-wall"	✓



Tel: +49(0)6182-7740390  
 Fax: +49(0)6182-7740391  
 e-mail: info@beli-gmbh.de

## technical data sheet

strong C