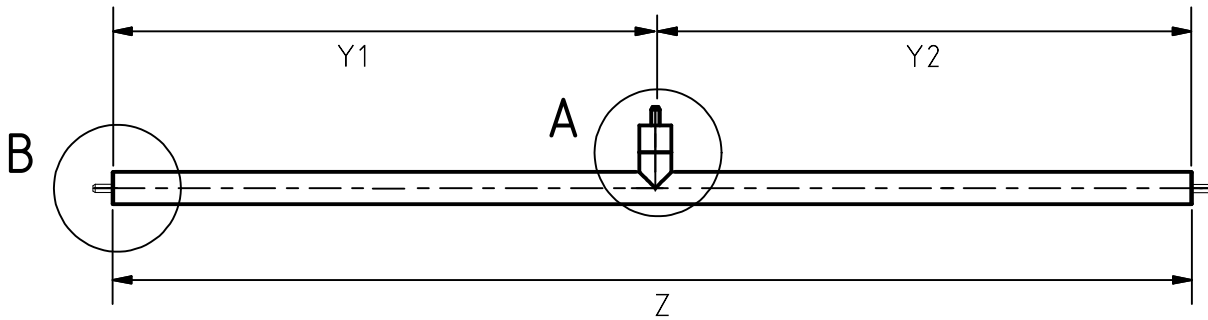
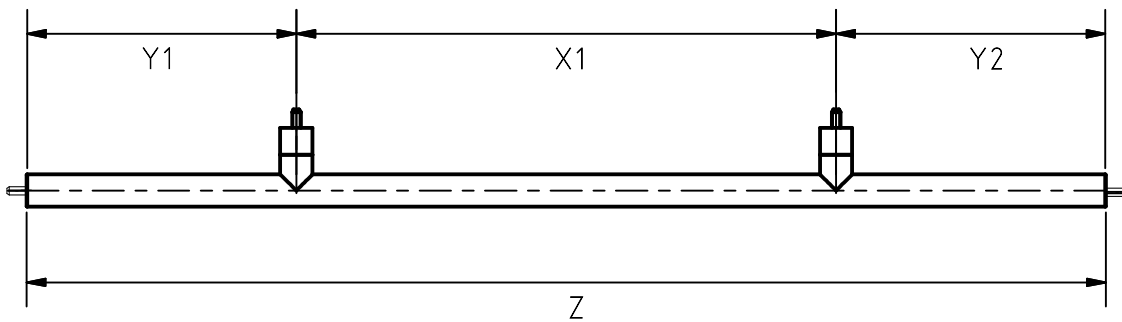


Quantity



Quantity

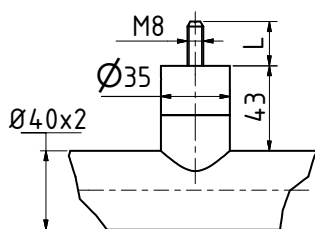


Quantity

L	material	mounting tool	cabin size	cabin wall protection
<input type="checkbox"/> 10mm <input type="checkbox"/> 15mm <input type="checkbox"/> .....	<input type="checkbox"/> 1.4301 grain 240 <input type="checkbox"/> 1.4301 grain 600 <input type="checkbox"/> .....	<input type="checkbox"/> Yes <input type="checkbox"/> No	width: ..... length: .....	<input type="checkbox"/> click-on rosette <input type="checkbox"/> plastic shim sleeve

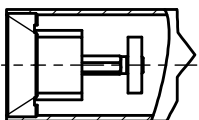
strong S	strong C
<input type="checkbox"/> Yes <input type="checkbox"/> No	<input type="checkbox"/> Yes <input type="checkbox"/> No

DETAIL A

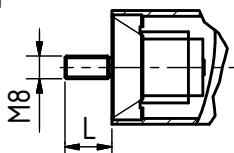


DETAIL B

before mounting



after mounting



All specifications are stated in mm

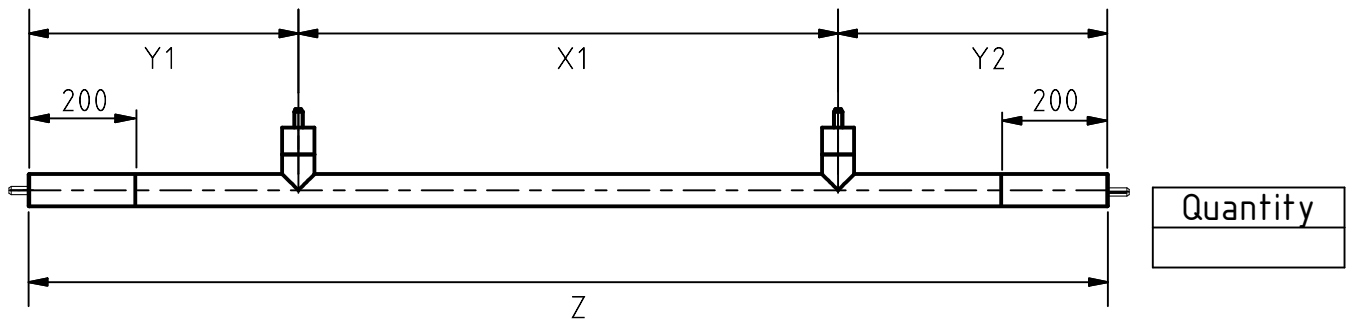
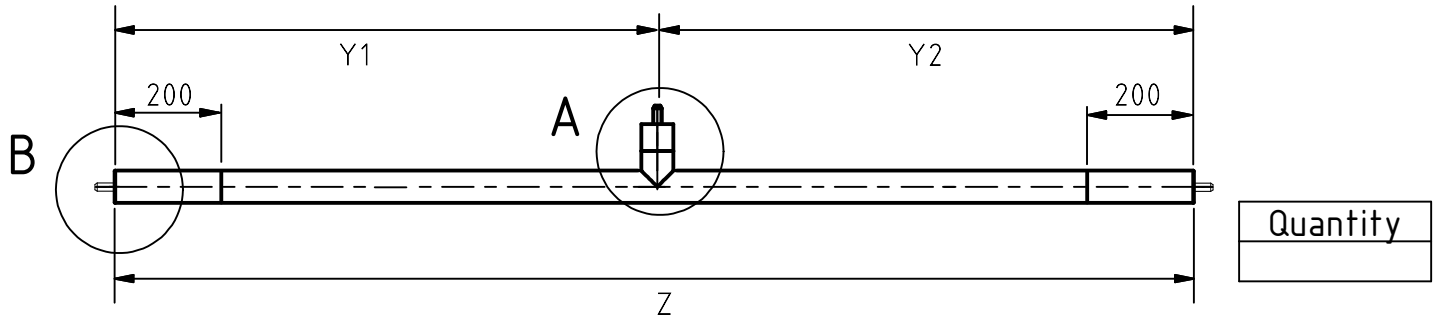
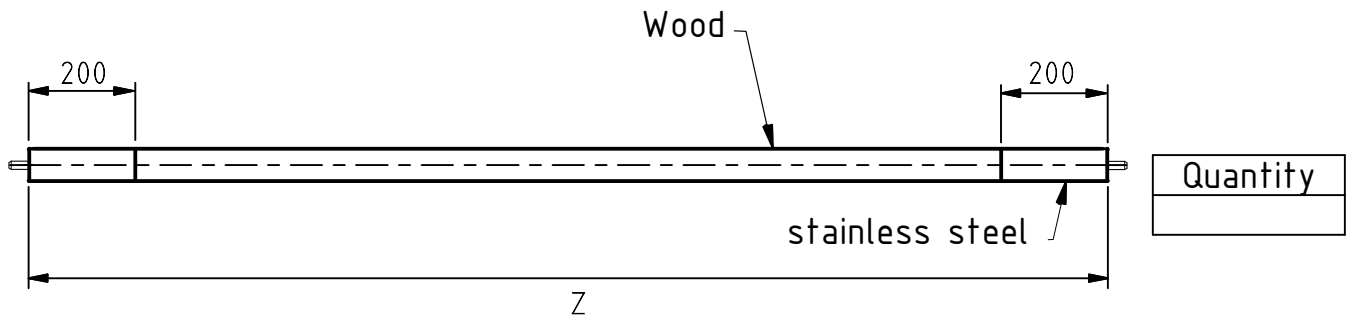
## Straight handrail with eli PRO and snail fitting

Ordernumber:

Commission number:

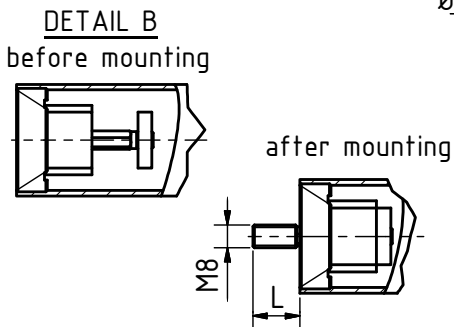
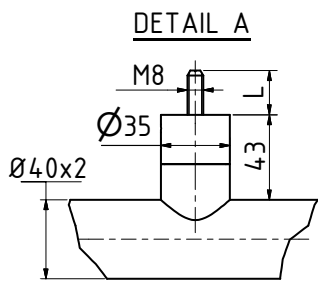


Tel: +49(0)6182-7740390  
 Fax: +49(0)6182-7740391  
 e-mail: info@beli-gmbh.de



L	material	mounting tool	cabin size	cabin wall protection
<input type="checkbox"/> 10mm <input type="checkbox"/> 15mm <input type="checkbox"/> .....	<input type="checkbox"/> Oak <input type="checkbox"/> Walnut <input type="checkbox"/> Beech	<input type="checkbox"/> Yes <input type="checkbox"/> No	width: ..... length: .....	<input type="checkbox"/> click-on rosette <input type="checkbox"/> plastic shim sleeve

strong S	strong C
Yes No	Yes No



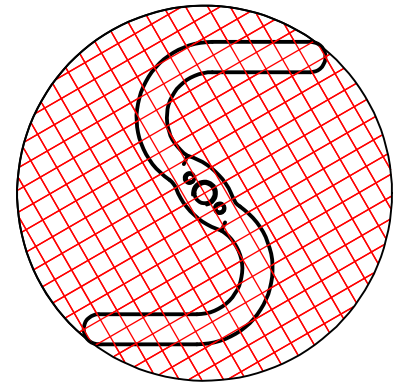
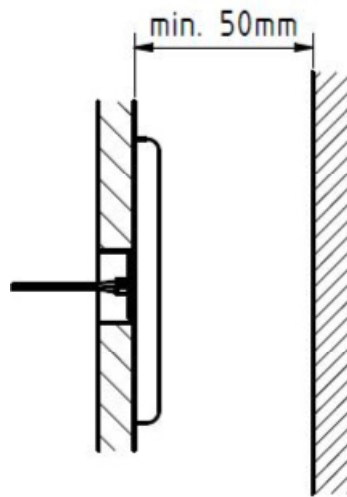
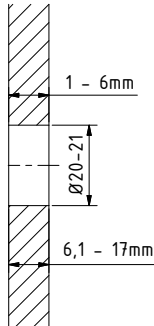
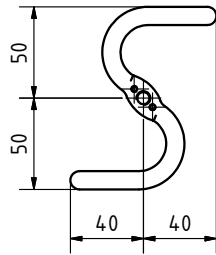
All specifications are stated in mm

## Straight handrail with eli PRO and snail fitting

Ordernumber:

Commission number:


 Tel: +49(0)6182-7740390  
 Fax: +49(0)6182-7740391  
 e-mail: info@beli-gmbh.de



support area  
120 cm<sup>2</sup>

required space for mounting

designation	Strong Spine S-shaped design
application:	subsequent back-filling of the rear cabin wall
mounting:	inside of the cabin
required installers:	1 lift mechanic
wall thickness:	1-17mm
material:	zinc coated and blue chromated steel
required space inside elevator shaft:	min. 50mm
support area on the rear cabin wall:	120cm <sup>2</sup>
mounting tools:	Cone cut drill bit or step drill bit (Ø20mm) and Torx T10

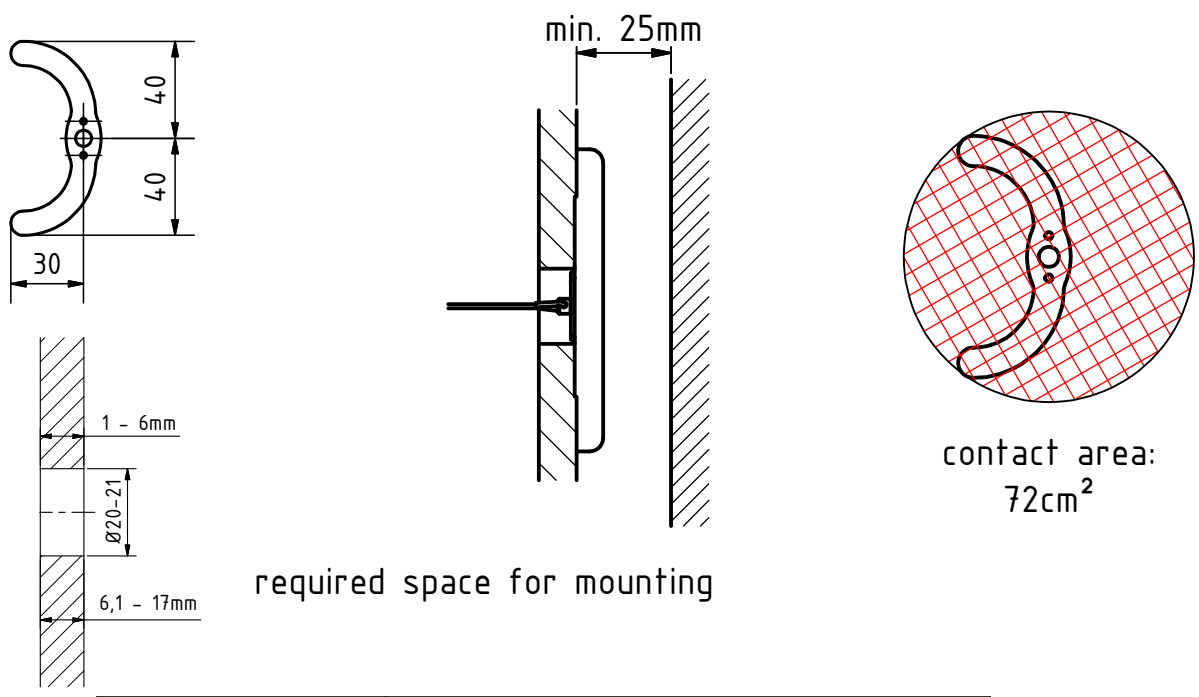
application	
Strong Spine S-shaped design	
straight handrail	✓
curved handrail	✓
continuous handrail	✓
"wall-to-wall"	✓



Tel: +49(0)6182-7740390  
Fax: +49(0)6182-7740391  
e-mail: info@beli-gmbh.de

technical data sheet

strong S



required space for mounting

designation	Strong Spine C-shaped design
application:	subsequent back-filling of the rear cabin wall
mounting:	inside of the cabin
required installers:	1 lift mechanic
wall thickness:	1-17mm
material:	zinc coated and blue chromated steel
required space inside elevator shaft:	min. 25mm
support area on the rear cabin wall:	72cm <sup>2</sup>
mounting tools:	Cone cut drill bit or step drill bit (Ø20mm) and Torx T10

application	
Strong Spine C-shaped design	
straight handrail	✓
curved handrail	✓
continuous handrail	✓
"wall-to-wall"	✓



Tel: +49(0)6182-7740390  
 Fax: +49(0)6182-7740391  
 e-mail: info@beli-gmbh.de

technical data sheet

strong C